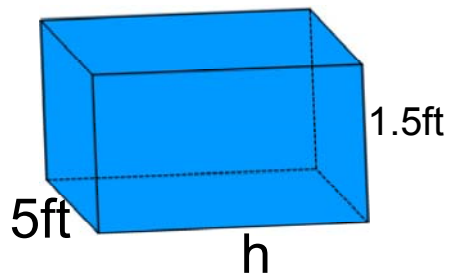
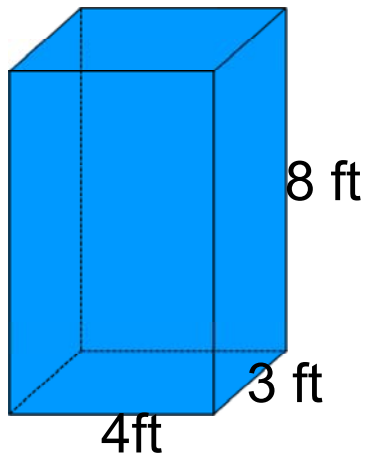


## Geo Mon wk 16 warm-up

Round final answer to nearest tenth.

1. Given that the two solids have the same volume, find the missing height.



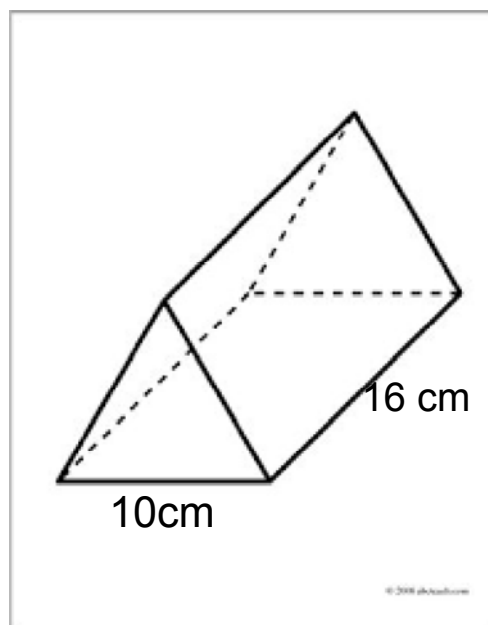
Find the area of the Base, lateral area, volume, and surface area of a regular triangular prism

B:

LA:

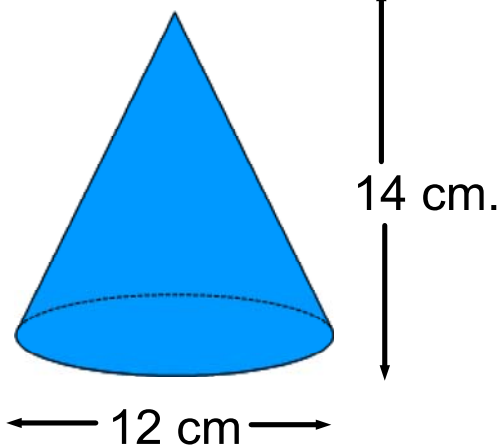
V:

SA:



**Find the volume and surface area of each solid.**  
**Round final answer to nearest tenth.**

A cone.  
1. Volume = 2. Surface Area =



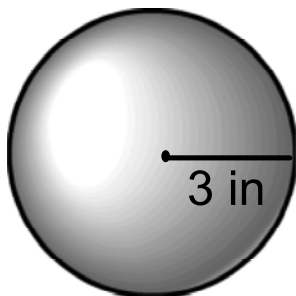
A sphere  
3. Volume = 4. Surface Area =



Round final answers to nearest tenth.

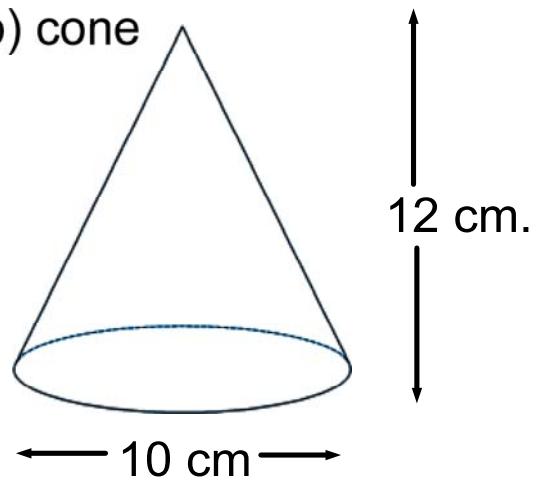
Find the volume and surface area of each solid.

a) Sphere



1. Volume =    2. Surface Area =

b) cone

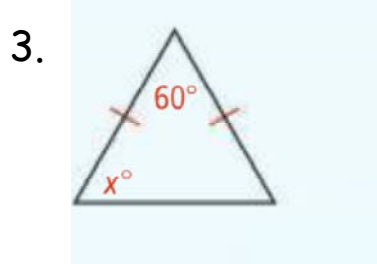
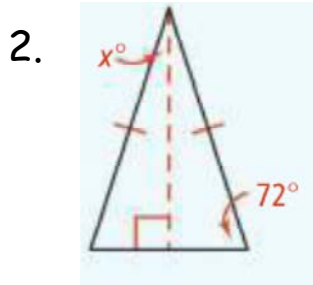


3. Volume =    4. Surface Area =

5. The volume of a cylinder is  $125\pi \text{ in}^3$  and has a diameter of 10 inches. Find the height.

1. Find the distance between points  $(-4,2)$  and  $(2,-4)$ .  
Leave your answer in simplified radical form.

Find the value of  $x$ .



**Find the value of  $x$ . Leave your answer in simplest radical form.**

