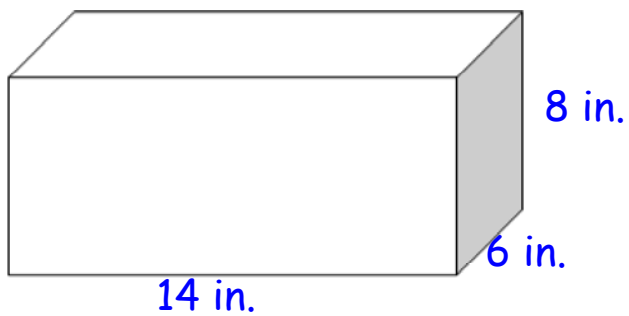
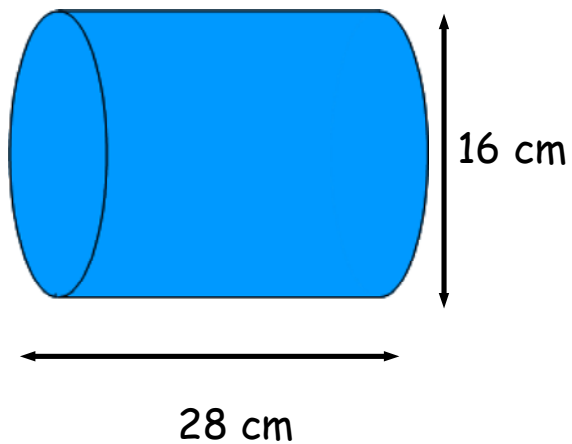


Geometry 2nd Semester Week 14 Monday Warm-up

1. Find the volume and surface area of this box.



**2. Find the volume and surface area of this cylinder.
Round answers to nearest tenth.**



Geometry 2nd Semester Week 14 Block Day Warm-up **Round final answer to nearest tenth.**

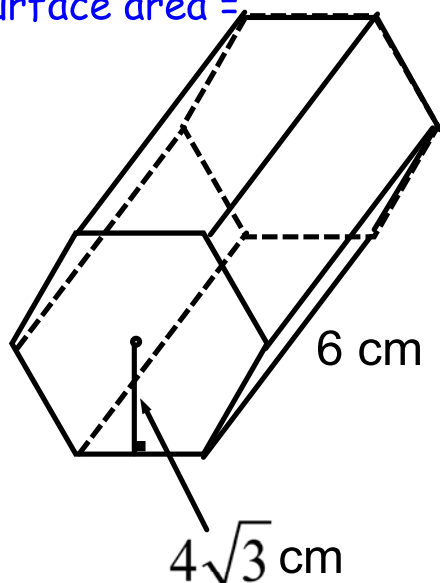
1. Find the area of a regular octagon with a side of 20 cm.

Find the volume and surface area of each solid.

Regular hexagonal prism.

2. Volume =

3. Surface area =



Cylinder with diameter of 8 cm and height of 10 cm.

4. Volume = 5. Surface area =
← 8 cm →

Geometry Semester 2- Week 14 Friday Warm-up

Find the volume and surface area of #1 and #2.

1. A cube with an edge of 14 cm.

2. A cylinder with a height of 22 inches and a diameter of 10 inches.

3. If the volume of a cube is 125 cubic cm., how long is the edge?