

Choose the vocabulary term that correctly completes the sentence.

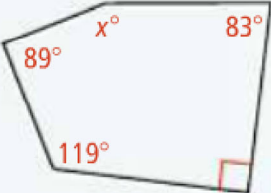

1. A parallelogram with four congruent sides is a(n) ?.
2. A polygon with all angles congruent is a(n) ?.
3. Angles of a polygon that share a side are ?.
4. A(n) ? is a quadrilateral with exactly one pair of parallel sides.

Exercises





Find the measure of an interior angle and an exterior angle of each regular polygon.

5. hexagon
6. 16-gon
7. pentagon
8. What is the sum of the exterior angles for each polygon in Exercises 5-7?

Find the measure of the missing angle.

9. 
10. 

Find the measures of the numbered angles for each parallelogram.

11. 
12. 
13. 
14. 

Find the values of x and y in $\square ABCD$.

15. $AB = 2y$, $BC = y + 3$, $CD = 5x - 1$, $DA = 2x + 4$
16. $AB = 2y + 1$, $BC = y + 1$, $CD = 7x - 3$, $DA = 3x$