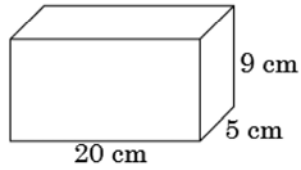


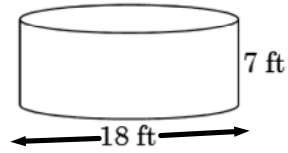
Chapter 11 Review #2 – Solids Practice

Find the volume and surface area of each solid.

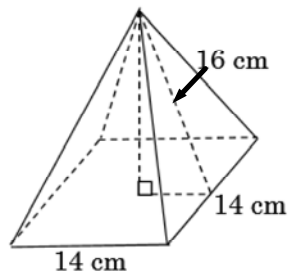
1.



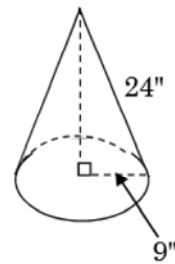
2.



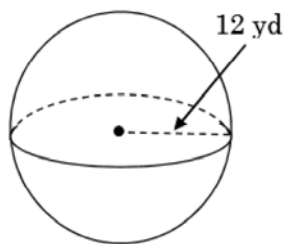
3.



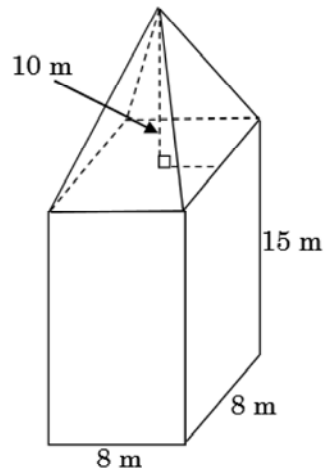
4.



5.



6.



Scrambled answers: 1173, 904, 933, 650, 599, 717, 900, 85, 1809, 1780, 7235, 941