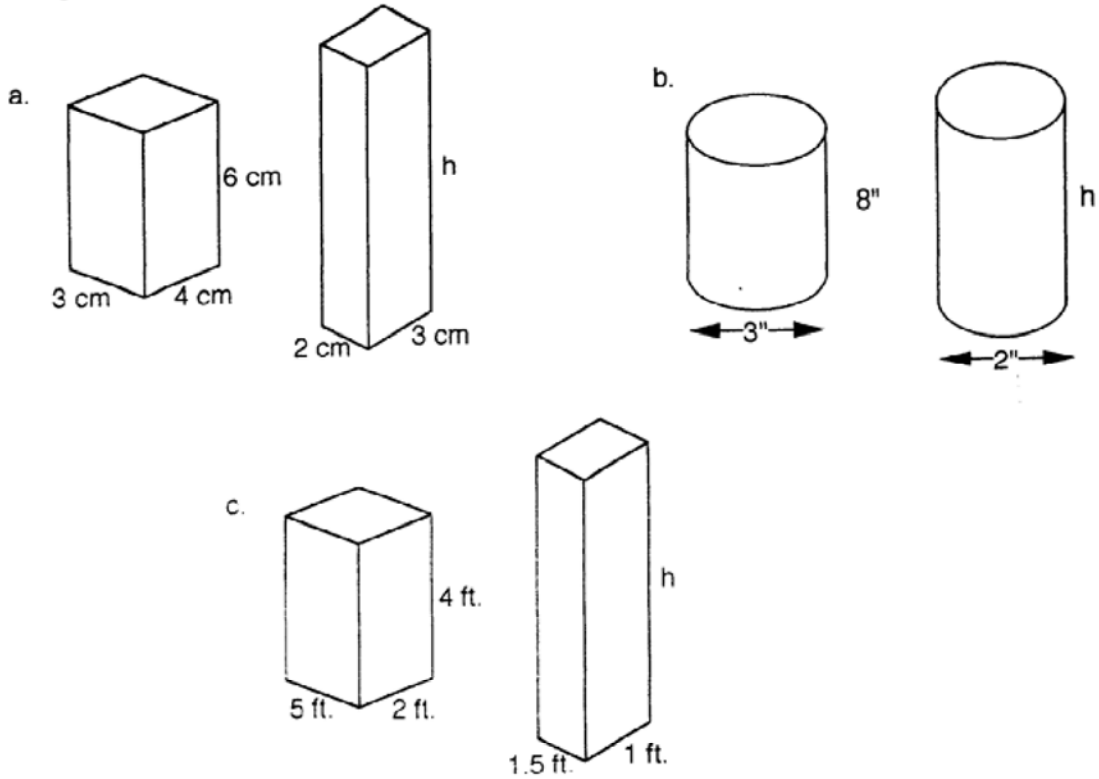


- The volume of a rectangular box is 64 cm^3 . The length and width are 4 cm and 2 cm. Find the height.
- Given that the two solids have the same volume, find the missing height.



- Container A is filled with water. What will the level of the water be when you pour the contents of container A into container B?

