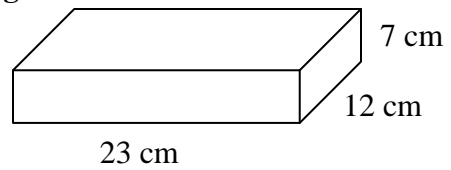


**Directions: Round your answers to the nearest tenth, if necessary. Show your work!!!**

**(#1-4) Find the volume and surface area of the following.**

1. A cube with edge equal to 8 inches.

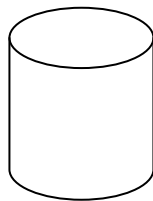
2.



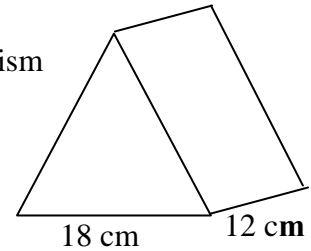
V=\_\_\_\_\_ SA=\_\_\_\_\_

V=\_\_\_\_\_ SA=\_\_\_\_\_

3. A cylinder with radius 6 cm and height 18 cm



4. A regular triangular prism



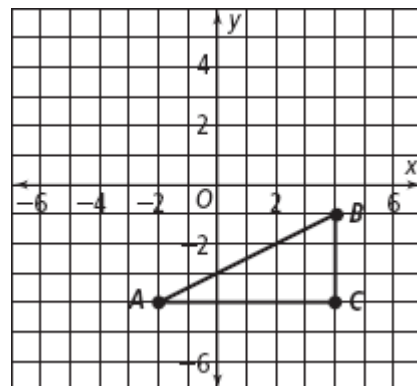
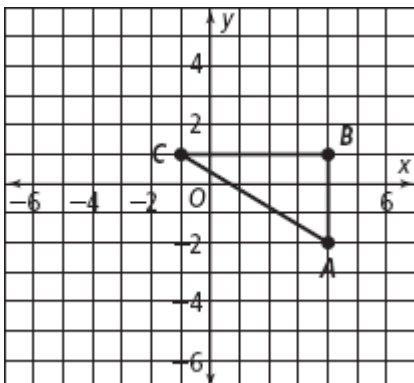
V=\_\_\_\_\_ SA=\_\_\_\_\_

V=\_\_\_\_\_ SA=\_\_\_\_\_

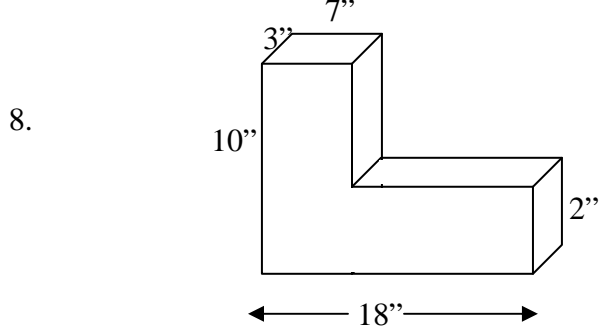
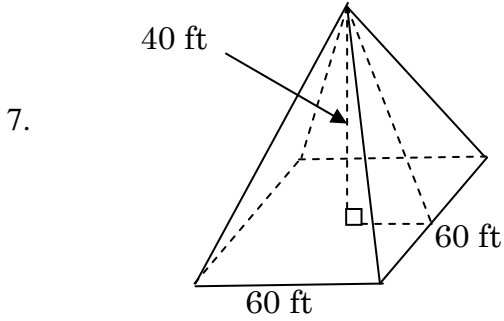
**In 5 and 6, graph the following compositions.**

5.  $(R_{y\text{-axis}} \circ T_{\langle 1, -4 \rangle})(\triangle ABC)$

6.  $(R_{y=-1} \circ T_{\langle 1, -2 \rangle})(\triangle ABC)$



**In 7 and 8, find the volume and surface area of the following.  
Round your answers to the nearest tenth, if necessary.**



V=\_\_\_\_\_ SA=\_\_\_\_\_

V=\_\_\_\_\_ SA=\_\_\_\_\_

9. Statement: If the fruit is a banana, then I will peel it.

Inverse: \_\_\_\_\_

Contrapositive: \_\_\_\_\_

Converse: \_\_\_\_\_

**In 10 and 11, find the area of the shaded region.**

